








PROJECT		REF		REV	ITEM CODE	
LOCATION		DATE			PAGE	

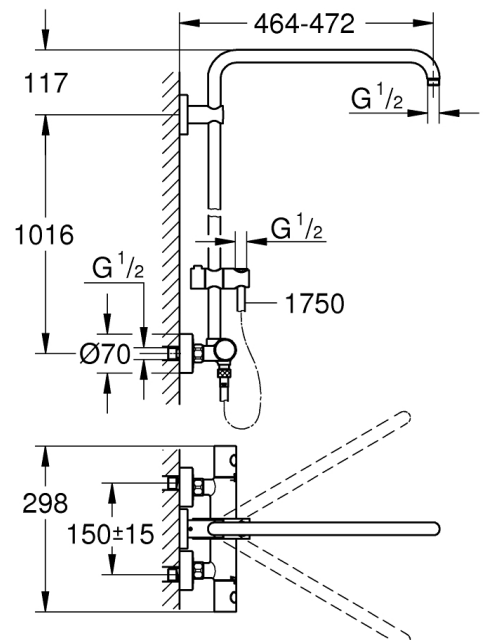
SANITARY WARE SPECIFICATION SHEET

Item Descriptions	GROHE (Germany) "Euphoria Shower System" Wall-mounted shower system with thermostatic mixer; not including showerhead and hand shower	<p style="text-align: center;">Illustration/ Drawing</p>  <div style="float: right; text-align: center;">     </div>
Dimensions	L472 x W298 x H1133 mm	
Model	26241000	
Finish	Chrome Plated	
Country of origin	Germany	
Manufacturer	GROHE Limited	
Supplier	Acme Sanitary Ware Co. Ltd Mr. Eric Wong/ Mr. Don Yuen	
Contact Tel/Fax	(852) 2388-7171 / (852) 2710-8012	
E-mail	acme@acmesanitary.com.hk	
Website	www.acmesanitary.com.hk	

"Euphoria System"

Shower system with thermostatic mixer for wall mounting

- consisting of:
- Horizontal swivable 450 mm projection shower arm
- **exposed thermostatic shower with Aquadimmer function**
- gliding element
- Silverflex shower hose 1750 mm (28 388 000)
- **GROHE TurboStat** compact cartridge with wax thermoelement
- **GROHE SafeStop** at 38°C (**calibration required**)
- **GROHE SafeStop Plus** optional temperature limiter at 43°C included
- **GROHE StarLight** chrome finish
- **Inner WaterGuide** for a longer life
- **Twistfree** to prevent hose from twisting
- **suitable for instantaneous heaters from 18 kW/h**
- minimum flow rate 7 l/min.
- optional upgrade: **GROHE EasyReach** tray (26 362), sold separately





PROJECT		REF		REV	ITEM CODE	
LOCATION		DATE			PAGE	

SANITARY WARE SPECIFICATION SHEET



Constant water temperature thanks to reliable GROHE TurboStat technology

Our precise control technology ensures an instant water flow at the desired temperature and keeps it constant irrespective of any fluctuations in water pressure or supply.



GROHE SafeStop (Plus) – double scalding protection at 38°C and (optional) 43°C

Great for homes with children, this safety feature is set at 38°C, preventing you from turning up the water temperature too high. If desired, higher temperatures can be selected by pushing the button. Optional for extra safety: the easy-to-fit GROHE SafeStop Plus limiter ensures that the temperature does not exceed 43°C.



Easy to clean thanks to the GROHE StarLight chrome coating

Just wipe the tap down with a dry cloth – the ultra smooth surface finish is scratch resistant and ensures a lasting luminous sheen. You'll save plenty of time cleaning while your tap always looks shiny and new.



Coating protected by Inner WaterGuide

A strong insulation of the water guide inside the shower prevents its surface from heating up, so it will never be too hot for you to touch. At the same time, this serves to protect the finish of your GROHE shower, further enhancing its great durability.



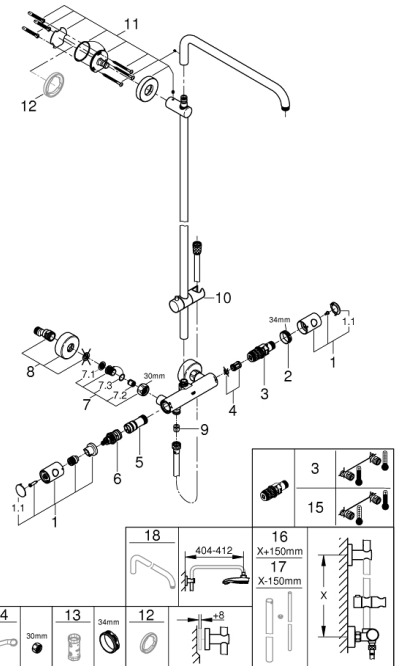
TwistFree – prevents your shower hose from twisting

TwistFree shower hoses are inspired by everyday experience: ever had to struggle with a twisted shower hose? TwistFree keeps your shower hose flexible and in shape, saving you that trouble.



GROHE EasyReach tray – always keep shower gel and shampoo handy

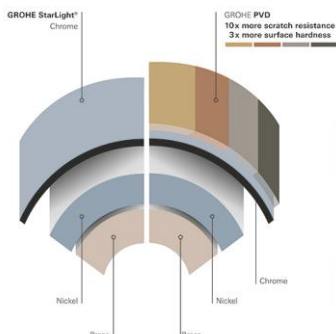
Always keep your shower gel and shampoo handy with the GROHE EasyReach tray. The flat tray surface is designed to match your tap for a great look and quick easy cleaning.



SPARE PARTS

- 1: Metal handle 1/2" (Order-nr. 47984000)
- 1.1: Cover Cap (Order-nr. 6458500M)
- 2: retaining ring (Order-nr. 47743000)
- 3: Thermostatic compact cartridge 1/2" (Order-nr. 47439000)
- 4: Sound absorber (Order-nr. 47398000)
- 5: Water flow (Order-nr. 47751000)
- 6: Aquadimmer (Order-nr. 12433000)
- 7: Non-return valve (Order-nr. 47189000)
- 7.1: Filter (Order-nr. 0726400M)
- 7.2: Non-return valve (Order-nr. 08565000)
- 7.3: O-Ring Ø17 x Ø2 (Order-nr. 0305500M)
- 8: S-union (Order-nr. 12662000)
- 9: Non-return valve (Order-nr. 08565000)
- 10: Sliding piece (Order-nr. 12140000)
- 11: Outlet shower holder (Order-nr. 48279000)
- 12: Spacer (Order-nr. 27180000)*
- 13: Socket Spanner (Order-nr. 19332000)*
- 14: Special Spanner (Order-nr. 19377000)*
- 15: GROHE TurboStat cartridge 1/2" (Order-nr. 47175000)*
- 16: Shower system pipe for retrofitting (Order-nr. 48053000)*
- 17: Shower system pipe for retrofitting (Order-nr. 48054000)*
- 18: Shower arm for shower systems (Order-nr. 14047000)*

* Optional accessories



Note:

* All information of the above is for the reference only. No prior notice is made if any changes.



Supplies Department

Quarters

告士打道七號入境事務大樓 48 樓

48/F, Immigration Tower, 7 Gloucester Road, Wan Chai, Hong Kong

本署檔號 : (2) in WSD 3321/2020 T/J(1604/2020)
Our ref.
來函檔號 :
Your ref.

電話 :
Tel.
傳真 : 2824 0578
Fax.


26 January 2021



Approval of "GROHE" Thermostatic Mixer (General Acceptance No. C20210072)

Your letter ref. WRC/2408 dated 7 December 2020 refers.

Having considered the test report ref. J25906 issued on 27 November 2020 by Nutek Systems (HK) Ltd., this Authority accepts that the fitting described below complies with, and its use when correctly installed does not contravene, the Waterworks Ordinance and Regulations.

Name of Manufacturer: Grohe AG
Country of Origin: Portugal
Brand: Grohe
Details of Fitting: 1/2" Wall mounted thermostatic shower mixer
Model: 26241XXX
(where the digits "XXX" denote the code of colour)
Body Markings: 
Expiry Date: 5 October 2025



This Authority hereby permits the use of the above fitting in fresh water plumbing systems subject to full adherence to Waterworks installation requirements. In particular, you are required to draw your customers' attention to the following requirement-

"The cold water supply to the fitting shall be drawn from the same source that supplies the hot water apparatus so as to provide a balanced pressure and to obviate the risk of scalding in the event of a restriction or failure in the water supply." AND

"The shower head or handspray should not be placed in submerged conditions and should be securely fixed to the original position after use."

A condition of this acceptance is that the fitting to be installed shall be replicas of the sample as certified by the testing agent mentioned above and without modifications. This acceptance may be withdrawn at any time if the standard of the fitting installed fails to meet that of the approved sample or if the fitting is found to be unsuitable for use in fresh water plumbing systems.

This acceptance is only applicable to the main body of the fitting, unless otherwise specified.

For the use of the fitting in any project, the General Acceptance Number of this letter must be quoted as a means of identification of acceptance of the fitting by this Authority.

Should you have any enquiries, please contact our Engineer Mr. Terry KUNG at tel. no. 3583 4086.

Yours faithfully,



(CHAN Chung-kun)

for Director of Water Supplies

Encl.

c.c. WSD 3321/1/82] - without catalogue
 ME/MC] - with soft copy only